

IEC Appliance Connector C14 with Line Switch 1- or 2-pole

new



Screw-On Version



Screw-On Version

C14



70° C

**Description**

- Panel Mount:
Screw-on mounting on PCB/ from rear-side
- 2 Functions:
Inlet Protection class I, Line switch 2-pole
- For PCB mounting
- Alternative: version with line filter [DC22](#)
- Substitute for type [KP \(Switch\)](#)

Approvals

- VDE License Number: 40007009
- UL License Number: E96454

Characteristics

- Ultra-compact design
- All single elements are already wired
Unwired versions available on request
- Line switch non-illuminated or illuminated
- With or without rear-side insulation cover
- Ideal for application with high transient loads
- Qualified for use in equipment according IEC/EN 60950

Other versions on request

- Fixing on PCB with self-tapping screws 3 mm or pre-inserted nuts M3
- Other rocker marking
- For protection class II
- Without cover

Weblinks

[Approvals](#), [RoHS](#), [CHINA-RoHS](#), [e-Store](#), [SCHURTER-Stock-Check](#), [Distributor-Stock-Check](#)

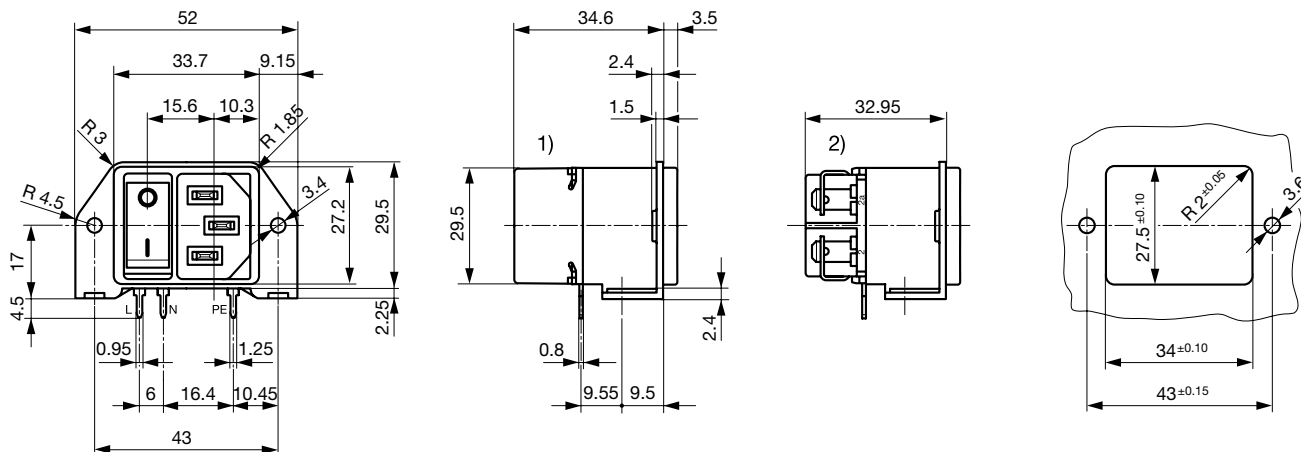
Technical Data

Ratings IEC	10 A / 250 VAC; 50 Hz	Appliance-Inlet/-Outlet	C14 acc. to IEC/EN 60320-1, UL 498, CSA C22.2 no. 42 (for cold conditions) pin-temperature 70 °C, 10 A, Protection class I
Ratings UL/CSA	11 A / 125 VAC; 60 Hz	Line Switch	Rocker switch 2-pole, non-illuminated or illuminated, acc. to IEC 61058-1 Technical details
Dielectric Strength	> 2.5 kVAC between L-N > 3 kVAC between L/N-PE (1 min/50 Hz)		
Allowable Operation Temp.	-25 °C to 70 °C		
Degree of Protection	from front side IP 40 acc. to IEC 60529		
Protection Class	Suitable for appliances with protection class I acc. to IEC 61140		
Terminal	For PCB mounting ; Ground terminal: Quick connect terminals 4.8 x 0.8 mm		
Panel Thickness s	Screw-on: max 3.5 mm Mounting screw torque max 0.5 Nm		
Material: Housing	Thermoplastic, black, UL 94V-0		

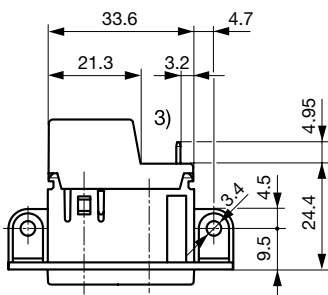
Dimensions

Screw-on mounting

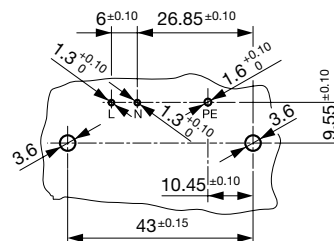
Length |-----| 38.1 mm



1) with cover
2) without cover



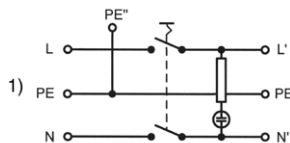
3) PE additionally as quick-connect terminal 4.8 x 0.8 mm



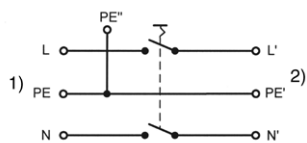
Diagrams

Line switch illuminated 2-pole

Line switch non-illuminated 2-pole



1) Line
2) Load



1) Line
2) Load

Variants

Distributor-Stock-Check | SCHURTER-Stock-Check | e-Store

Panel mounting	Line Switch	Illumination	Color	Order Number
Screw-on	2-pole		-	DC21.0021.1111
Screw-on	2-pole	●	red	DC21.0023.1111
Screw-on	2-pole	●	green	DC21.0024.1111

Packaging unit

40 Pcs

Accessory**Description**

[Cord retaining kits](#)
Cord retaining strain relieve

Flat head, Z
Flat head, G

0888.0021
4700.0007